

REVISION	02
DATE	11.07.24

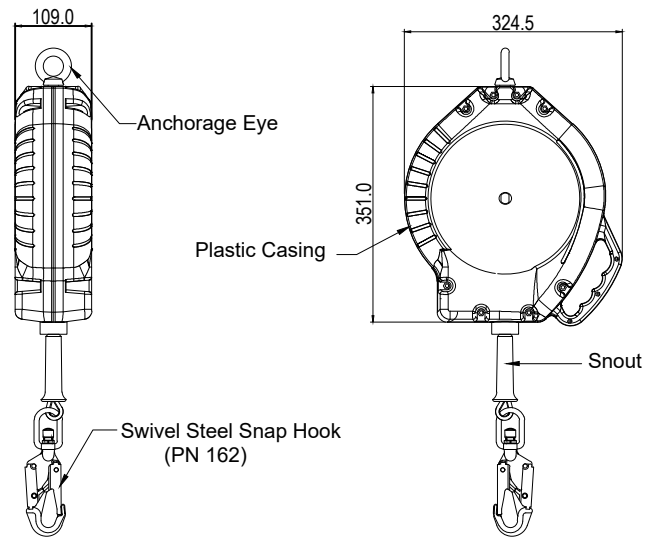
## TECHNICAL DATA SHEET

**PRODUCT : RETRACTABLE FALL ARREST G.I.  
WIRE ROPE BLOCK**

**REF NO. : TPGS 25 TO 30**

**SIDE VIEW**

**FRONT VIEW**



Conforms to EN 360:2002

01	PHYSICAL PARAMETERS	<ul style="list-style-type: none"> <li>● Robust &amp; durable plastic casing.</li> <li>● Has swivel anchorage eye at anchorage end.</li> <li>● Swivel steel snap hook with Load Indicator our Ref. (PN 162) at attachment end.</li> <li>● Galvanized steel wire rope (option of having S.S. wire rope available)</li> </ul>
02	LENGTH	<ul style="list-style-type: none"> <li>● Reference no.      Length of cable</li> <li>TPGS 25                      25 Meters</li> <li>TPGS 30                      30 Meters</li> </ul>
03	CABLE	<ul style="list-style-type: none"> <li>● <b>Material</b>            : Galvanized steel wire rope Ø4.5 mm.</li> <li>● <b>Minimum</b>            : 15 kN.</li> <li>● <b>Breaking strength</b></li> </ul>
04	VITAL TEST COMPLIANCE	<ul style="list-style-type: none"> <li>● <b>Static Strength</b>    : 12 kN for 3 Minutes.</li> <li>● <b>Dynamic</b>            : 140 kg mass free fall of 600 mm with the breaking force of less than 6kN &amp; arrest distance less than 2 mts.</li> <li>● <b>Performance</b></li> </ul>

TECHNICAL DATA SHEET



REVISION	02
DATE	11.07.24

## TECHNICAL DATA SHEET

05	WEIGHT	<ul style="list-style-type: none"><li>• TPGS 25 : 12.72 kgs ± 0.10kgs.</li><li>• TPGS 30 : 13.12 kgs ± 0.10kgs.</li></ul>
----	--------	---

### PRODUCT IMAGE



TECHNICAL DATA SHEET